



# EXTERNAL LIFT OFF HINGE 180° STAINLESS STEEL

External lift-off hinge for flush mounted doors in acid-proof stainless steel 316. Opening angle 180°. Lift-off design and available as right or left version.

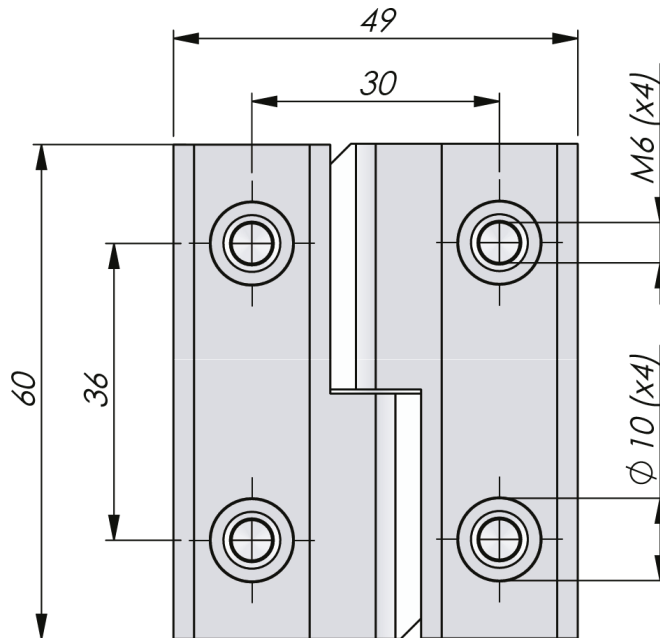
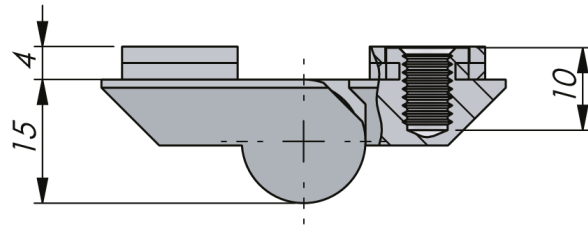


**MATERIAL**

Hinge: Stainless steel 316

**TECHNICAL INFORMATION**

Supplied without M6 screws.



**Industralas**  
— When access counts —

P/N	Description
329028	Right hinged version (shown)
329029	Left hinged version